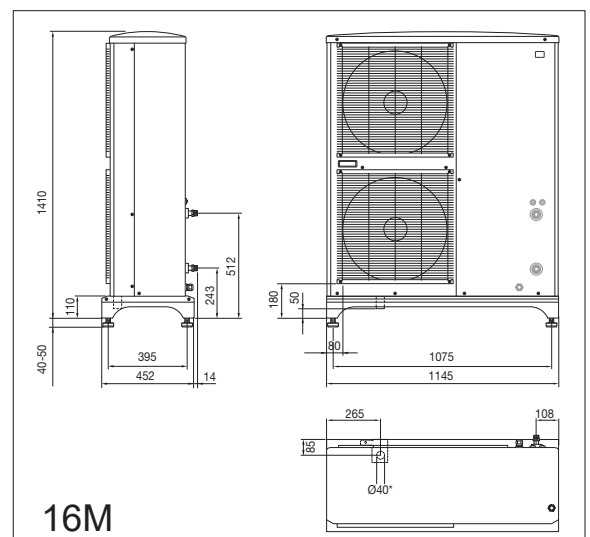
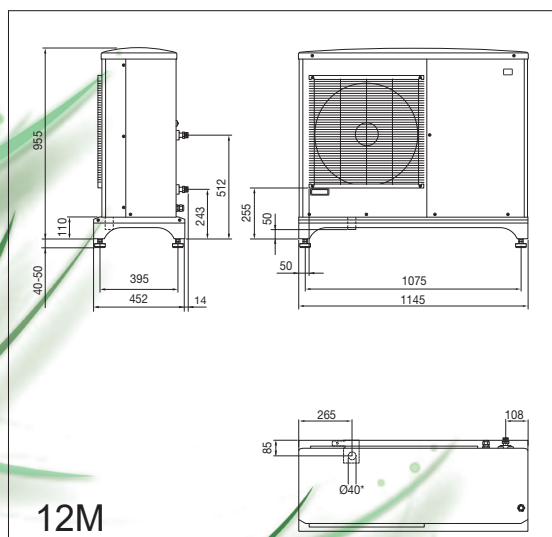
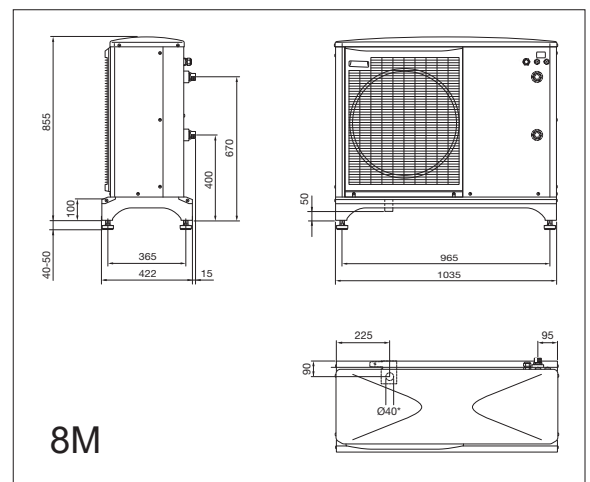
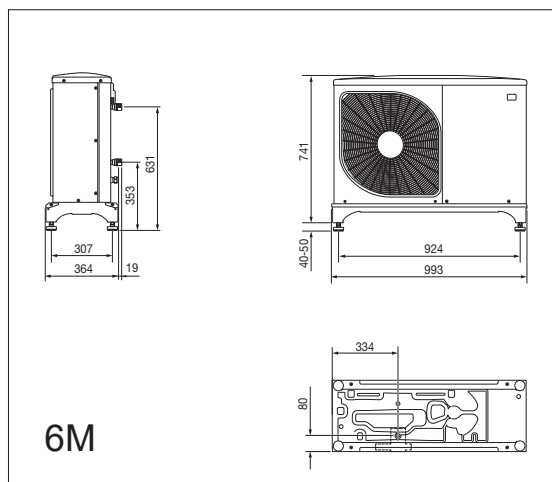


| Technical data 230V  |                   | 6M                          | 8M                     | 12M                    | 16M                    |
|--|-------------------|-----------------------------|------------------------|------------------------|------------------------|
| CTC no.  |                   | 589350001                   | 589351001              | 589352001              | 589353001              |
| Weight (packaged weight)                                     | kg                | 67 (87)                     | 91 (111)               | 109 (131)              | 144 (166)              |
| Dimensions (depth x width x height)                          | mm                | 364x993x791                 | 422x1035x895           | 452x1145x995           | 452x1145x1450          |
| Specified output nominal: W35 & A +12/+7/+2/-7/-15 (EN14511) | kW                | - /2.67/2.32/4.64 /-        | - /3.86/5.11/6.6 /-    | - /5.21/6.91/9 /-      | - /7.03/9.33/12.1 /-   |
| COP nominal: W35 & A +12/+7/+2/-7/-15 (EN14511)              |                   | - /5.32 /4.20 /2.57 /-      | - /4.65 /3.76 /2.68 /- | - /4.78 /3.86 /2.75 /- | - /4.85 /3.92 /2.80 /- |
| Sound power $L_{WA}$ A7/W45 (EN 12102)                       | dB(A)             | 50                          | 54                     | 57                     | 61                     |
| Sound pressure $L_{PA}$ 5 m A7/W45                           | dB(A)             | 31                          | 35                     | 38                     | 42                     |
| Sound pressure $L_{PA}$ 10 m A7/W45                          | dB(A)             | 25                          | 29                     | 32                     | 36                     |
| Electrical Data, connection                                  |                   | 230V ~ 50Hz / 230V 2 ~ 50Hz |                        |                        |                        |
| Rated current (recommended fuse)                             | A                 | 15 (16)                     | 16 (16)                | 23 (25)                | 25 (25)                |
| Airflow  | m <sup>3</sup> /h | 2530                        | 3000                   | 4380                   | 6000                   |
| Refrigerant quantity (R410A, fluorerad växtusgas GWP 2088)   | kg                | 1.50                        | 2.55                   | 2.90                   | 4.00                   |
| CO <sub>2</sub> -equivalent                                  | ton               | 3.13                        | 5.32                   | 6.06                   | 8.35                   |
| Package efficiency class: W35/W55 (A+++ - G)                 |                   | A+++/A++                    | A+++/A++               | A+++/A++               | A+++/A++               |
| Energy efficiency class: W35/W55 (A+++ - D)                  |                   | A+++/A++                    | A++/A++                | A++/A++                | A+++/A++               |
| Cooling capacity: A27 & W7 / 18 (EN14511)                    |                   | 5.87/7.98                   | 7.52/11.20             | 9.87/11.70             | 13.30/17.70            |
| EER: A27 & W7 / 18 (EN14511)                                 |                   | 3.56/4.52                   | 3.17/3.50              | 3.13/3.52              | 3.33/3.91              |
| Cooling capacity: A35 & W7 / 18 (EN14511)                    |                   | 4.86/7.03                   | 7.10/9.19              | 9.45/11.20             | 13.04/15.70            |
| EER: A35 & W7 / 18 (EN14511)                                 |                   | 2.61/3.45                   | 2.68/3.08              | 2.77/3.12              | 2.88/3.12              |

## Dimensions diagram



## CTC CombiAir models

CTC CombiAir 16M 1x230V CTC-no: 589353001

CTC CombiAir 12M 1x230V CTC-no: 589352001

CTC CombiAir 8M 1x230V CTC-no: 589351001

CTC CombiAir 6M 1x230V CTC-no: 589350001

Scope of delivery: Heat pump with installation package and manual.



## Control units

### CTC EcoZenith i360, 9–12 kW

Indoor module with highly efficient DHW preparation. Extremely well insulated with heat exchanger. Including charge pump and expansion vessel.

**Low:** 1.67 m Top connection.

**High:** 1.92 m Bottom connection.

### CTC EcoLogic L/M

Advanced heat pump control that automatically monitor and control CTC's heat pumps, additional heat, buffer tanks, solar, pool and passive cooling, etc.

**L:** can control up to four CTC CombiAir and handle four heating circuits.

**M:** can control up to two heat pumps and handle two heating circuits.

### NOTE!

CTC CombiAir can only be controlled by the above control units.

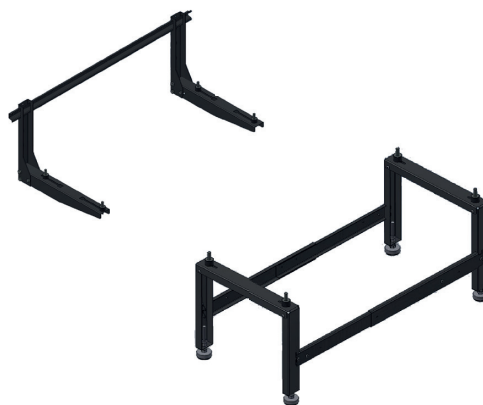


## Smart Accessories

### CTC Wall bracket

Wall mounting kit suitable for CTC CombiAir 6M-12M.

CTC-no: 589341301



### CTC Ground Stand

Ground stand for elevation from the ground. Height: 40 cm

CTC-no: 589340301



### CTC Condensate drain

Condensation water pipe with heating cable that is automatically controlled by the outdoor temperature.

Length: 1 m. Power: 15 W 1x230V CTC-no: 589342301

Length: 3 m. Power: 45 W 1x230V CTC-no: 589342302

Length: 6 m. Power: 90 W 1x230V CTC-no: 589342303

Length: 1 m. Power: 15 W 2x230V CTC-no: 589342304

Length: 3 m. Power: 45 W 2x230V CTC-no: 589342305

Length: 6 m. Power: 90 W 2x230V CTC-no: 589342306



info@ctc.se  
+46 372 88 000  
Fax: +46 372 86 155  
P.O Box 309 SE-341 26 Ljungby Sweden





# CTC CombiAir



*It's Hot  
to be Cool*



# CTC CombiAir

## The new hot heatpump also can cool you down

A series of speed-controlled air-to-water heat pumps that can adapt to the building's power demand during the winter. In the summer, for perfect indoor climate they produce both cooling and hot water.

### **CTC CombiAir - a natural choice**

CTC CombiAir is a new series of efficient speed-controlled air-to-water heat pumps, specially developed for the Nordic climate. CTC CombiAir is available in four sizes, from 6 kW to 16 kW. CTC CombiAir is very easy to install. The heat pumps use the outdoor air as the energy source, so no boreholes or coils are needed in the ground.

### **Maximum savings**

The speed-controlled compressor adapts to the house's power needs during the year. When more heat or hot water is required, the heat pump increases the power, and when less is needed, it goes down to lower speeds. Thanks to this, you always get maximum savings.

### **A perfect indoor climate**

The heat pump is intended to be connected to water-borne heating systems and can produce both hot water and cooling. When it is cold (-20 °C), CTC CombiAir can deliver a flow temperature of as much as 58 °C, which is sufficient for both heat and hot water.

During the hot days of the year, the well-developed cooling function delivers a very pleasant indoor climate. Long hot days outside are best finished off with something cool to drink and an even cooler evening inside.

### **Quiet operation**

CTC CombiAir has an automatic fan capacity control. CTC CombiAir also has a "quiet operation" mode that allows scheduling when it needs to work at a lower noise level.

### **Intelligent control**

Depending on your heating circuit, CTC CombiAir can be controlled in different ways. You can control the heat pump either via the CTC EcoZenith i360 indoor module or via the CTC EcoLogic L/M control modules. CTC EcoLogic is used primarily if you want to supplement an existing system with CTC CombiAir. These smart control modules automatically monitor and control CTC's heat pumps, additional heat, buffer tanks, solar, pool, etc.

### **Plenty of hot water**

If you install CTC CombiAir together with the CTC EcoZenith i360 indoor module, you will get a complete heating/cooling and hot water system. CTC EcoZenith i360 has integrated heat pump control and ultra-efficient hot water heating. The CTC EcoZenith i360 is equipped with the same ultra-efficient water heating technology as our ground source heat pumps. When combined with a CTC heat pump, it can produce over 300 litres of hot water.

### **User-friendly display**

CTC EcoZenith i360 and CTC EcoLogic L/M are both equipped with an integrated touchscreen display, through which you can easily access all functions and can both swipe and scroll, just like on your smartphone.

In addition, you can easily mirror the display on your tablet, mobile, etc. The colour touchscreen display has clear symbols and multiple language options, and makes it easy to adjust heating and hot water or to retrieve information about the operation.



# ump that own!

t pumps that  
y the year. For the  
ling and heating.

#### Built-in internet connectivity

CTC EcoZenith i360 and CTC EcoLogic L/M have internet connectivity as standard, so you can easily control your heat pump remotely. To ensure compatibility with smart homes, the product is equipped for connection to Alexa, Google Home, etc. It is also SmartGrid-ready, which means it is equipped for the electricity grid of the future.

#### EnergyFlex

With the help of accessories, you can easily supplement with solar heating, let a water-jacketed stove or your existing boiler contribute heat or connect a pool so you can enjoy the heat during the summer.

#### Control remotely

With the myUplink app, you can monitor and control your system directly in your mobile phone. You can, for example, adjust the temperature or receive an alarm in the event of a stoppage. The app can be downloaded free of charge from the App Store or Google Play.





” Experience the perfect indoor climate regardless of outdoor temperature. A feeling of relief for both body, soul - and wallet.

### Benefits

- Speed-controlled compressors
- Produce both heat and cold
- Developed for the Nordic climate
- Four sizes: 6, 8, 12 and 16 kW
- Silent with "quiet operation" mode
- Intelligent indoor module with 4.3 inch touch display, CTC EcoZenith i360



CTC CombiAir 8M

CTC EcoZenith i360