

An eco-friendly and
secure investment!



CTC EcoLogic L/M

Advanced heat pump control,
models L and M



- Smart and user-friendly
- Stylish design
- Internet connection as standard
- Controls up to ten CTC heat pumps
- Six system versions
- Can be controlled from a smartphone with myUplink

Find a CTC distributor in your country - www.ctc-heating.com



MADE IN SWEDEN

The logical choice for your heating circuit!

The CTC EcoLogic L and M control units are smart control systems that automatically monitor and control CTC heat pumps, supplementary heating, buffer tanks, solar heating, pool and free cooling, etc.

Integrated display and modern design

The design of the CTC EcoLogic L/M control units is a further development of the proven CTC EcoLogic. CTC EcoLogic L/M has a modern design and integrated display.

The display has a user-friendly interface where you can easily access all functions and can both swipe and scroll, just like on your smartphone. In addition, you can easily mirror the display on your tablet, mobile, etc. The control logic has simple and clear symbols and the option to switch languages.

With CTC EcoLogic L, you can connect

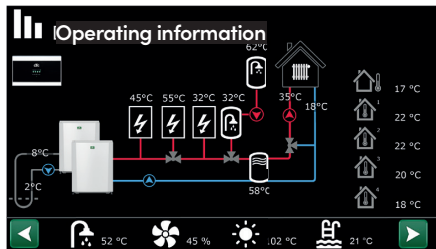
and control up to ten heat pumps and four heating circuits (four primary flow temperatures/heat curves).

CTC EcoLogic M is a slightly simpler variant able to control up to two heat pumps in up to two heating circuits, which is enough for most properties.

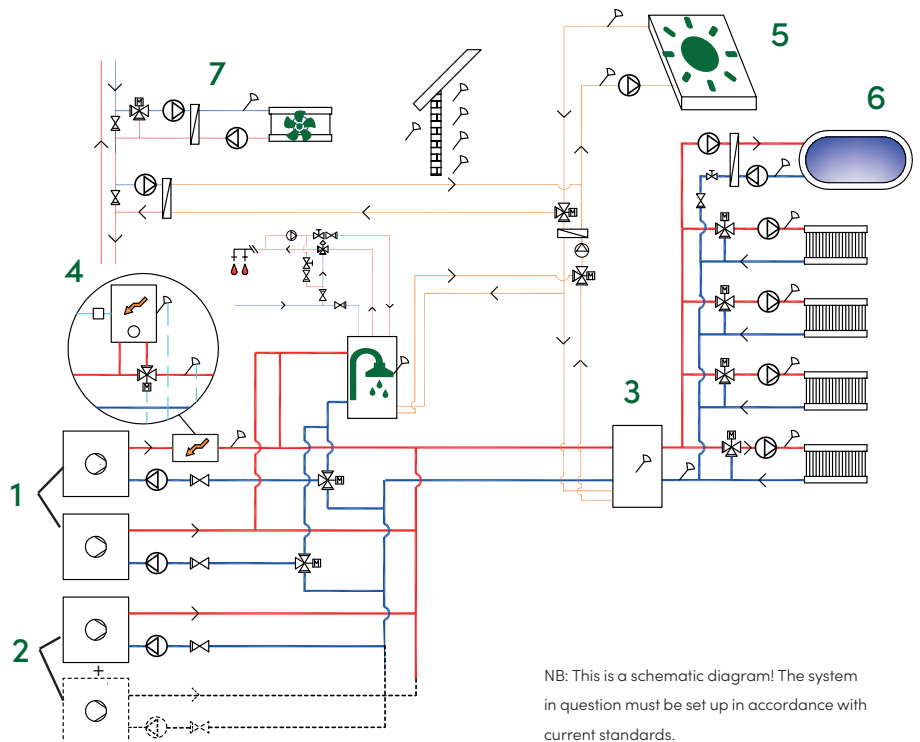
CTC EcoLogic L/M have a built-in power monitor, optional external supplementary heating (0-10 V, 0-3 stages), hot water prioritisation and a built-in common alarm. You can log operating data and update programs via USB.

Control remotely

CTC EcoLogic L/M also have internet connectivity as standard so that you can easily control your product remotely using the myUplink app. For it to be compatible with a smart home, CTC EcoLogic L/M are prepared for connection to Alexa and Google Home, etc. You can also connect CTC EcoLogic L/M to a remote computer (DUC).



Connection example



NB: This is a schematic diagram! The system in question must be set up in accordance with current standards.

CTC EcoLogic L, System 4.

(One of six different systems)

1. Heat pumps 1 and 2 can be connected using 3-way valves that direct the heat flow either to the DHW system or heating circuit.
2. The other heat pumps are connected to the heating circuit.
3. All heating from the heat pumps and additional heat goes to the heating system through the buffer tank.
4. Additional heat is placed before the DHW system.
5. Solar heating can be connected either to the hot water tank or to a buffer tank using 3-way valves, or to a ground heating coil.
6. Pool heating is connected after the buffer tank.
7. Cooling can be connected to the geothermal heating system.

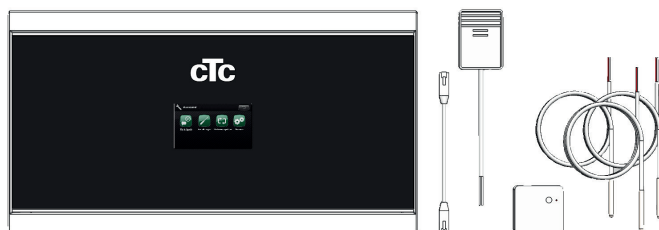


Dimensions diagram



Delivery includes:

CTC EcoLogic L/M, communication cable, wall bracket, room sensor, outdoor sensor, primary flow sensor (3x 22k) and manual



Control:	L	M
Heat pumps 1-2	X	X
Heat pumps 3-10	X	
Heating systems 1-2	X	X
Heating systems 3-4	X	
Solar Energy	X	
Pool	X	
Passive cooling	X	
DHW circulation	X	
Ventilation	X	X
Active cooling from: 8220-2108-0182	X	X*

* not for separate cooling tank

* not for valve Y62

* only for common heating / cooling tank

Technical data 400 V		L	M
CTC-no.		589430301	589430302
Weight (packaged weight)	kg	7.5 (8)	
Dimensions (depth x width x height)	mm	122x519x276	
Electrical data, connection		230V 1N~ 50 Hz	
Recommended fuse	A	10	
Ingress Protection class (IP)		IP X1	

Energy labels and data sheets can be downloaded from www.ctc-heating.com/Ecodesign



info@ctc.se
+46 372 88 000
Fax: +46 372 86 155
P.O Box 309 SE-341 26 Ljungby Sweden



Compatible heat pumps

– refer to individual product sheets for more detailed information.



Smart accessories

– supplement and simplify.

		CTC no.:
CTC EcoMiniel 1x230V	Compact additional heating for heat pump systems, 2-6 kW	581759002
CTC EcoMiniel 3x400V	Compact additional heating for heat pump systems, 3-9 kW	581759001
CTC Extra Shunt group	Complete package for neat and easy installation of additional heating circuits	587396301
CTC Mixing Valve Group 2	For installing an additional heating circuit	586857001
CTC Mixing Valve Package Pro	Shunt valve and motor valve for installation in shunt systems (22 mm connector).	585903301
CTC Diverting Valve, 3-way	For interconnections in the system, e.g. pool (22 mm connection)	583621401
CTC VT 80 Volume tank	Detached volume tank with 4 connections (3/4").	587190301
CTC EcoComfort	A passive cooling unit that uses the borehole's cool temperature.	585920001
CTC EcoVent 25	Exhaust air unit - Adapted for placement above the heat pump	589701001
CTC DHW button	Activates the extra hot water function, wire-bound	582515301
CTC SmartControl Gateway	Base unit able to control up to seven optional units	588300301
CTC SmartControl Repeater	Amplifies the signal between the base unit and the different accessories	588300302
CTC SmartControl Room/Humidity/CO ₂ sensor	Wired sensor that can control ventilation on demand (Base unit required)	588300303
CTC SmartControl Room/Humidity Sensor	Solar powered and wireless with rechargeable battery (base unit required)	588305301
CTC SmartControl Room Sensor	Solar powered and wireless with rechargeable battery (base unit required)	588306301
CTC SmartControl Multi-button	Wireless 2 mode button (Base unit required)	588307301
CTC Solar Pump Station	Compact solar pump station for solar heating	587700001
CTC Start-kit EcoSol	Start kit for connecting CTC solar control with existing solar system	587458301