



Providing sustainable energy solutions worldwide

Installation and Maintenance Manual
CTC EcoTank 300/310

IMPORTANT
READ CAREFULLY BEFORE USE
KEEP FOR FUTURE REFERENCE



CTC EcoTank 300/310



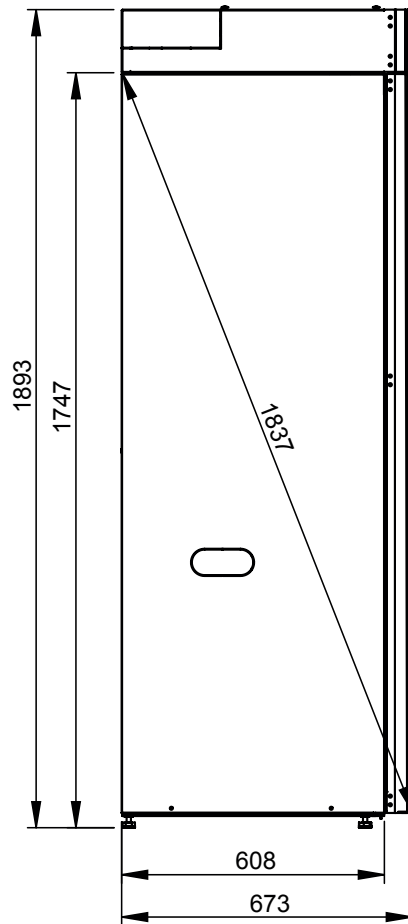
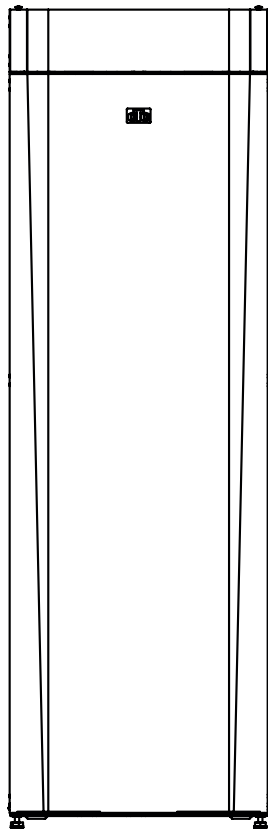
Table of Contents

GENERAL INFORMATION		
1. Technical data		5
2. Safety Instructions		6
3. General		6
3.1 Cross-section		6
3.2 Important to remember!		7
3.3 Delivery for EcoTank 300 includes		7
4. Inspection and maintenance		8
4.1 Filling		8
4.2 Draining		8
4.3 Troubleshooting		8
5. For installers		9
5.1 Schematic diagram of pipe connections		9
6. Installation		10
7. Recycling		11

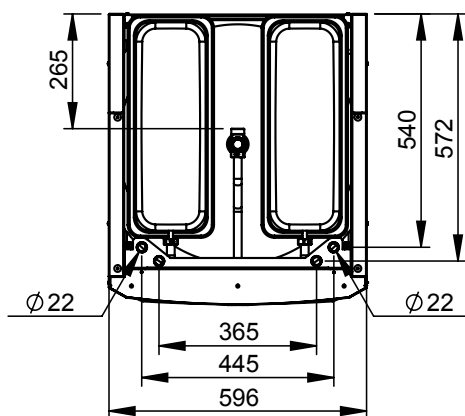
Enertech AB reserves the right to make changes and correct any printing errors.

1. Technical data

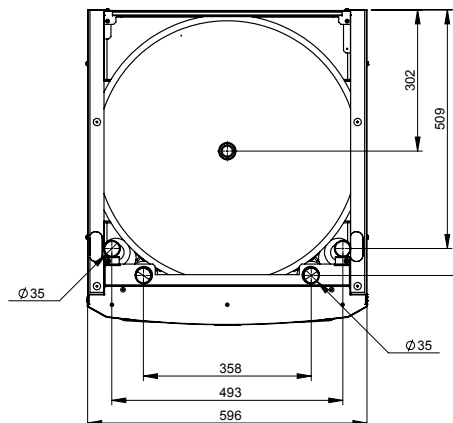
	CTC EcoTank 300	CTC EcoTank 310
Net weight	138 kg	128 kg
Volume	318 l	318 l
Max. operating pressure	3.0 bar / 0.3 MPa	3.0 bar / 0.3 MPa
Max. operating temperature	110°C	110°C
Expansion tank	20 l (= 6% of tank volume)	---
Connection pipes	22 mm	35 mm



CTC EcoTank 300



CTC EcoTank 310



2. Safety Instructions

This appliance is not intended for use by persons (including children) with reduced physical, sensory or mental capabilities, or lack of experience and knowledge, unless they have been given supervision or instruction concerning use of the appliance by a person responsible for their safety.

Children should be supervised to ensure that they do not play with the appliance.

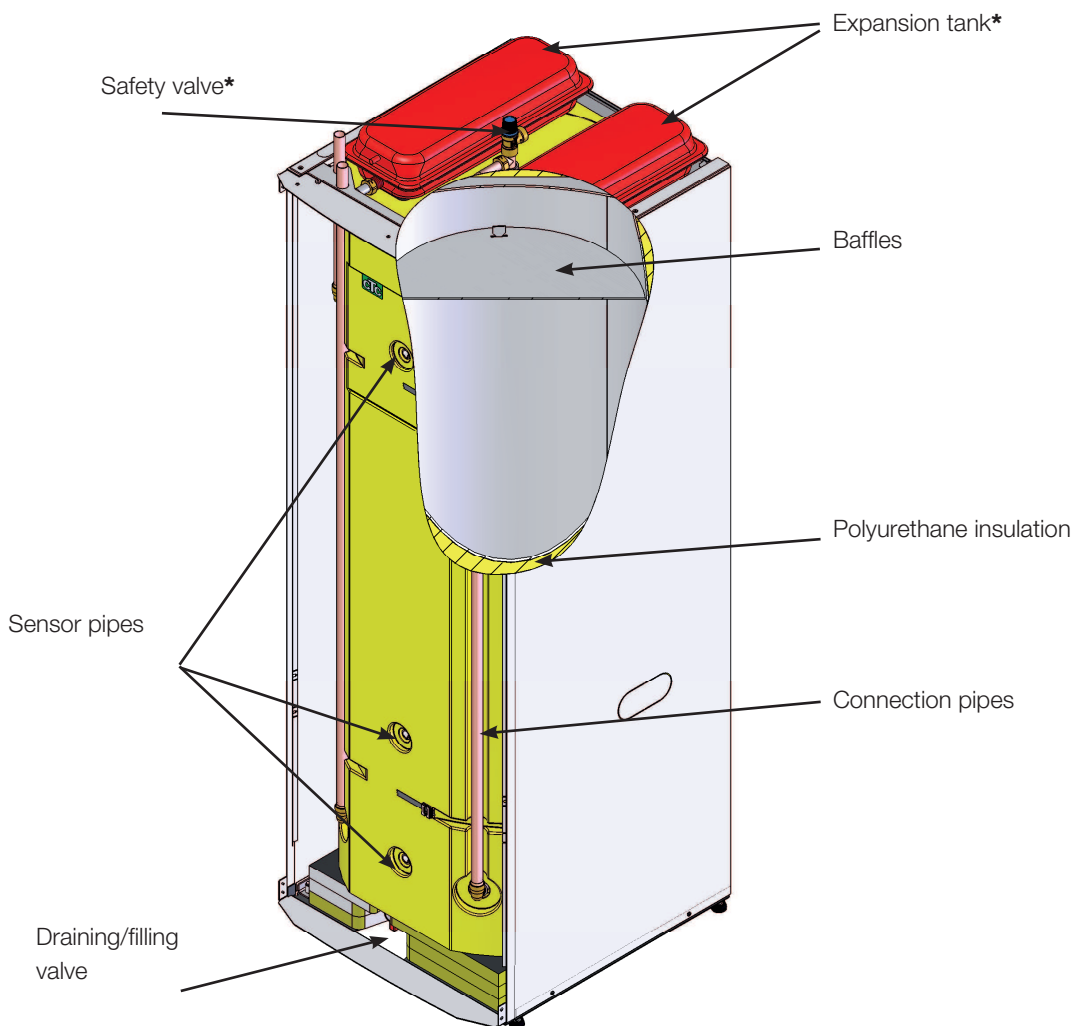
3. General

CTC EcoTank is a buffer tank available in two versions: CTC EcoTank 300 with a 22 mm connection and CTC EcoTank 310 with a 35 mm connection.

Both versions have a volume of 318 l and inbuilt baffles for optimal performance. Polyurethane insulation is used to minimise heat loss. The product is compatible with the other products in the CTC range.

- CTC EcoTank 300 is intended to be connected to a CTC EcoZenith i250 or CTC EcoHeat and is equipped with a built-in expansion tank.
- The CTC EcoTank 310 has larger size connections and is intended for larger systems where it is used as a buffer tank during heat pump operation; please note that it is supplied without an expansion tank.

3.1 Cross-section



* Applies to the CTC EcoTank 300 only

3.2 Important to remember!

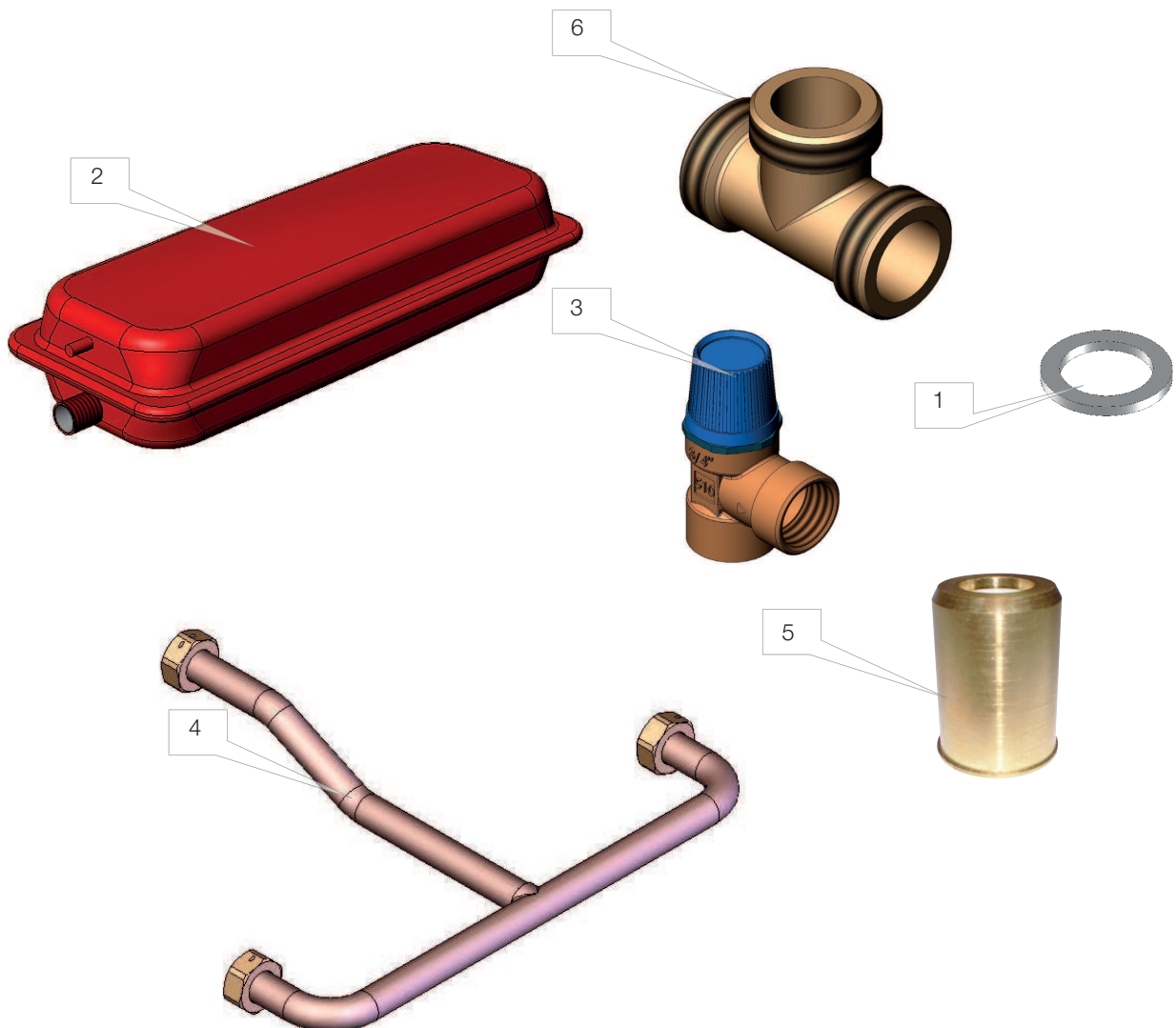
Especially check the following points at delivery and installation:

- CTC EcoTank shall be transported and stored in its original packaging.
- Remove the packaging and check before installation that the product has not been damaged in transit. Report any transport damage to the carrier.
- Before installation, check that the delivery is complete (See “Delivery includes” section).

3.3 Delivery for EcoTank 300 includes

CTC EcoTank 310 is supplied without this bipack.

Designation	Quantity
1 Sealing washer	2
2 Expansion tank 10 litre (incl. pipe connections) 0.5 Bar	2
3 Safety valve 2.5 bar	1
4 Pipe connection to expansion tank	1
5 Non-return valve	2
6 T-connection	1



4. Inspection and maintenance

The safety valve fitted must be checked regularly (about four times per year). To check, turn the safety valve knob anti-clockwise until water runs from the waste water pipe. If no water runs, there is a fault in the valve and it must be replaced. Some water always drains from the safety valve during the heating up of a new installed system. The safety valve is not supplied with CTC EcoTank 310.

4.1 Filling

Fill EcoTank 300/310 according to the following:

1. Connect the water supply to the draining/filling valve.
2. Start filling (turn the safety valve in equal stages to release the air from the system).
3. When water begins to run from the safety valve pipe, the tank is full.
4. Ensure that the safety valve is closed.
5. Start the circulation pump.
6. Continue to fill with water until the safety valve releases.
7. Bleed the radiators.
8. Repeat stages 6 and 7 until the system is free of air.


4.2 Draining

Drain EcoTank 300/310 according to the following:

1. Turn off the circulation pump.
2. Close the valves to the radiator system (if the whole radiator system is not to be drained).
3. Connect the draining pipe to the draining/filling valve.
4. Open the draining valve. Drain water to decrease the pressure in the system.
5. Open the safety valve for venting to drain the residual water from the tank and system.

4.3 Troubleshooting

If the sound of lapping water is heard from the tank, the system has not been vented sufficiently. Remedy this by repeating stages 6 and 7 under the heading "Filling".

 Beware of possible spraying water.

5. For installers

This section is intended to assist the installation technician to install the CTC EcoTank so that it performs in the way requested by the property owner.

Bear in mind the following:

- CTC EcoTank shall be transported and stored in its original packaging.
- Remove the packaging and check before installation that the product has not been damaged in transit. Report any transport damage to the carrier.
- Before installation, check that the delivery is complete (See “Delivery includes” section).

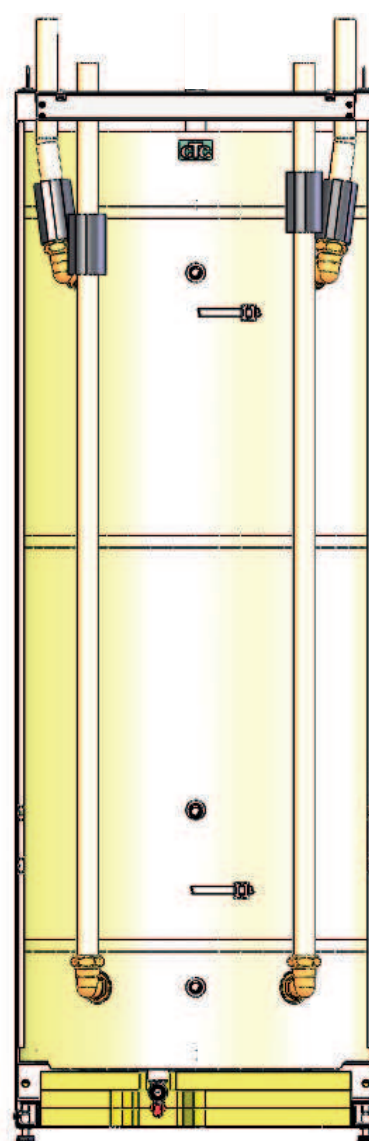
! The product should be stored and transported in an upright position.

5.1 Schematic diagram of pipe connections

CTC EcoTank 300



CTC EcoTank 310



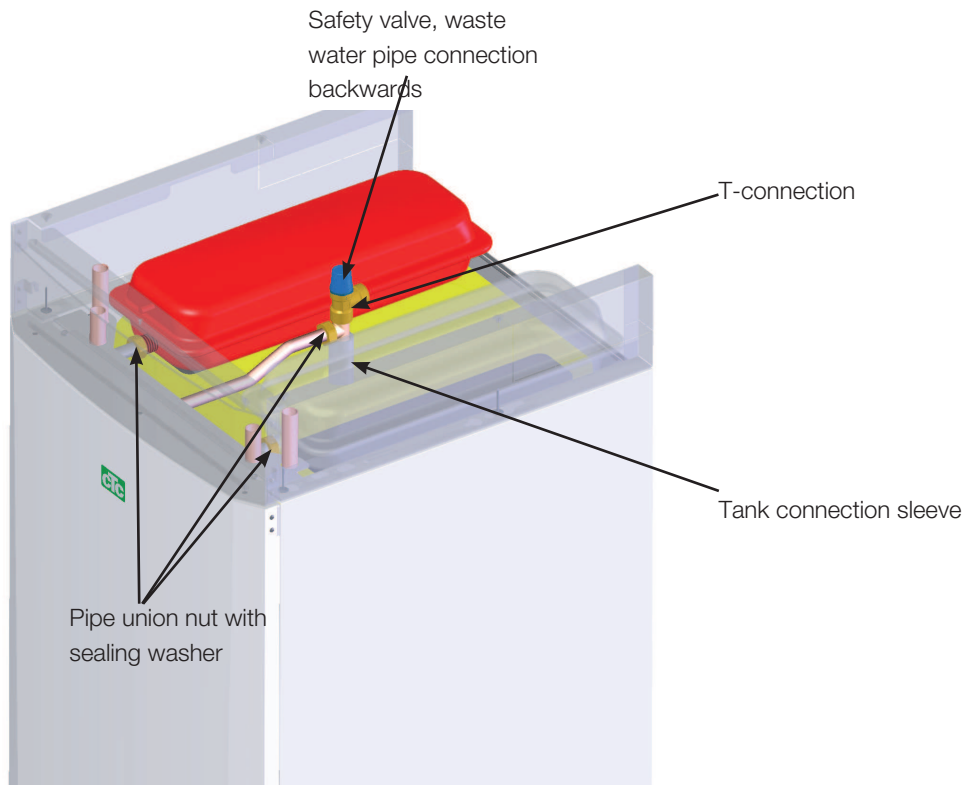
6. Installation

The installation must be carried out in accordance with current MCS standards. Refer to MIS 3005 and associated building regs Part L,F & G.

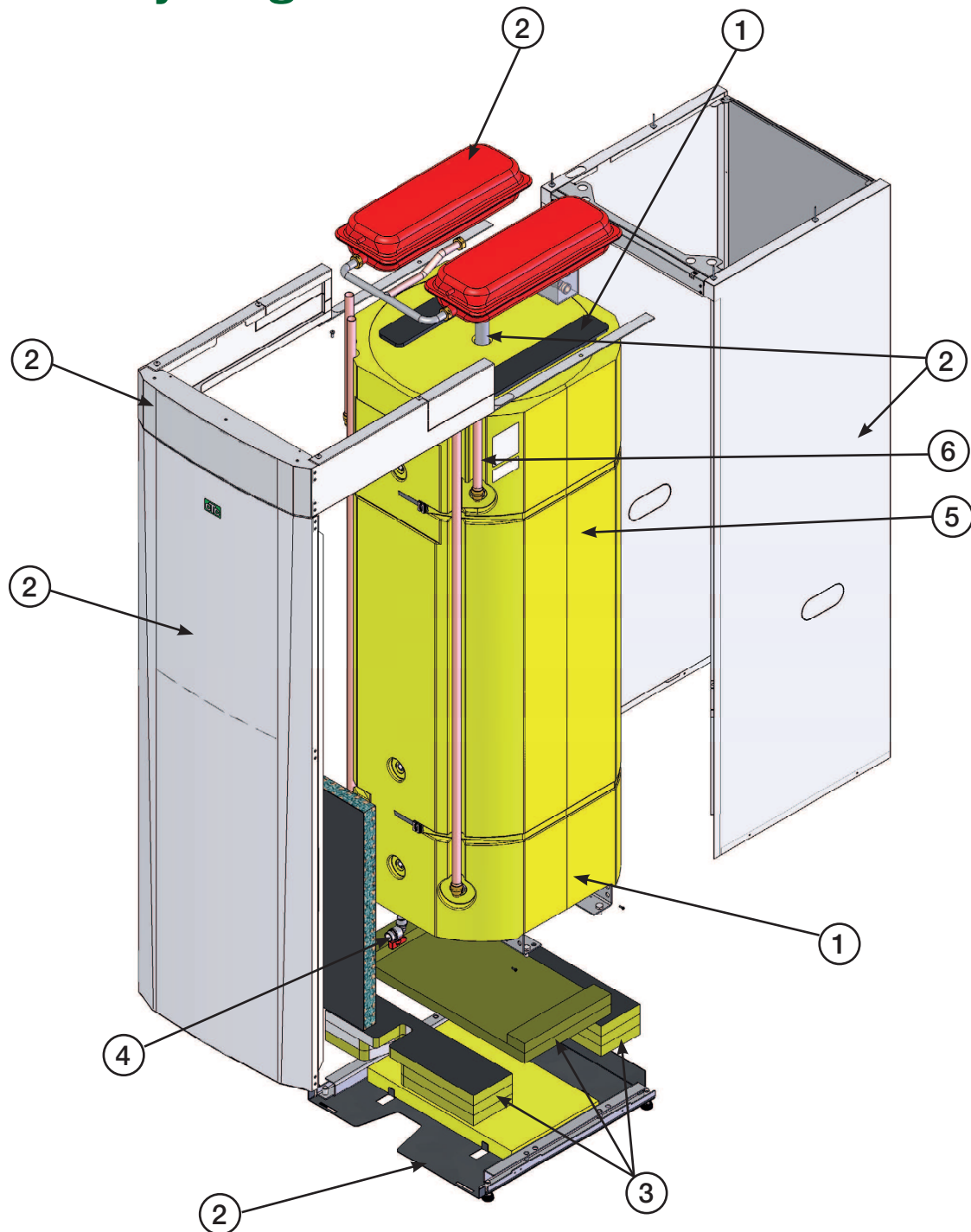
CTC EcoTank may only be installed upright. Internal support sleeves shall be used inside the copper tubes at the connections. A waste water pipe shall be installed from the safety valve to a suitably placed drain. The pipe shall have the same dimensions as the safety valve and shall fall over its entire length to avoid water remaining in it, and it shall not be exposed to minus temperatures. The pipe's outlet shall be visible.

For CTC EcoTank 300

Connect the expansion tank and the tank using the T-connection and the safety valve according to the illustration below:



7. Recycling



1. Combustible
2. Mixed scrap
3. Landfill
4. Elbow connector, mixed scrap
5. Framework, mixed scrap
6. Brass scrap or mixed scrap

