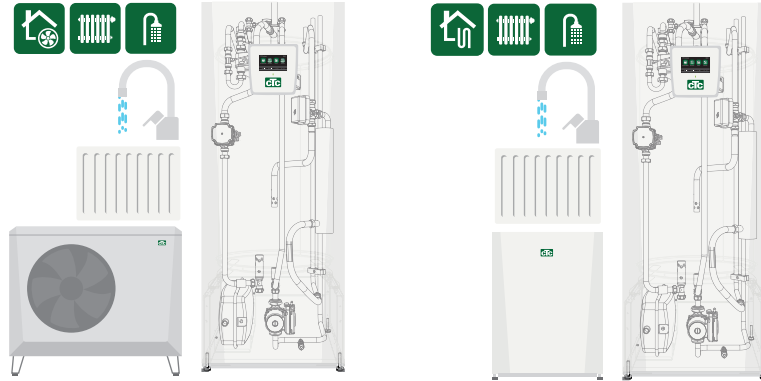


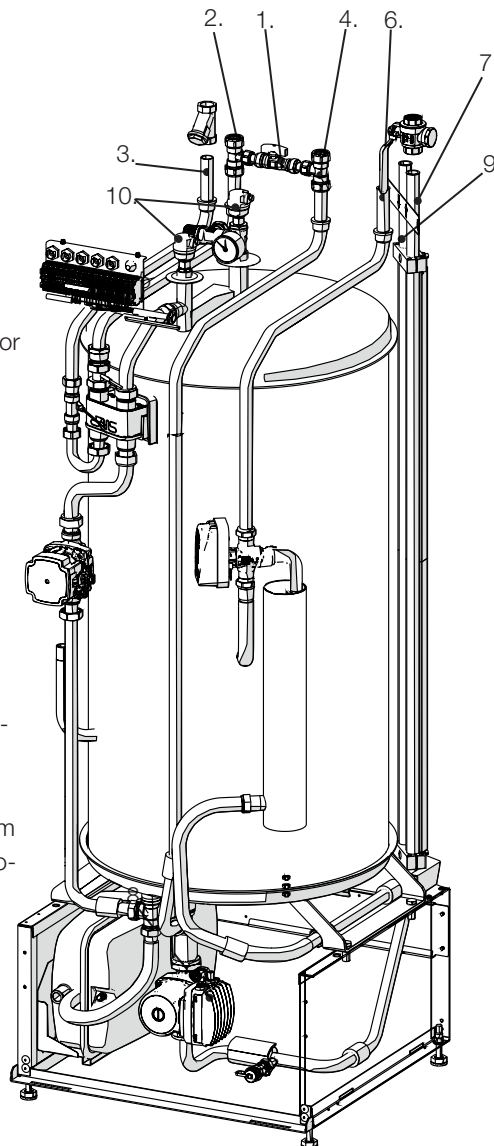
Overview of basic DHW installation*

CTC EcoZenith i350

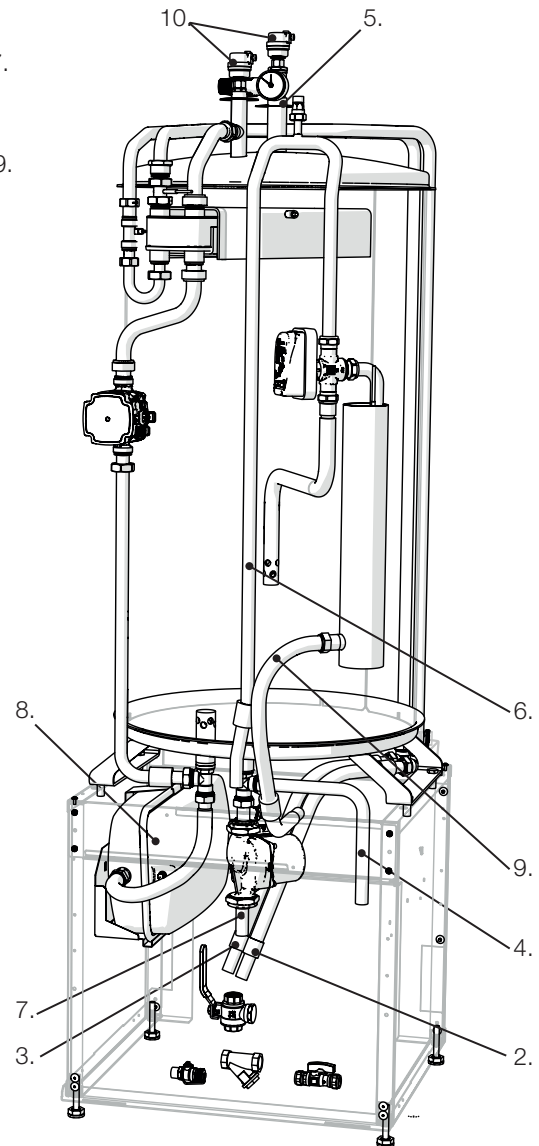
Indoor module with heat pump control



1. Filling valve
2. Tap water hot out Ø22mm
3. Tap water cold in Ø22mm
4. Return from radiator system Ø22mm
5. Expansion/lifting sleeve 3/4"
6. Primary flow to radiator system Ø22mm
7. Primary flow to radiator system Ø22mm
8. Expansion tank (factory-fitted – adjust pressure)
9. From heat pump Ø22mm
10. Connector for automatic bleeder



Low version



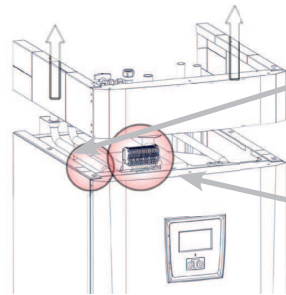
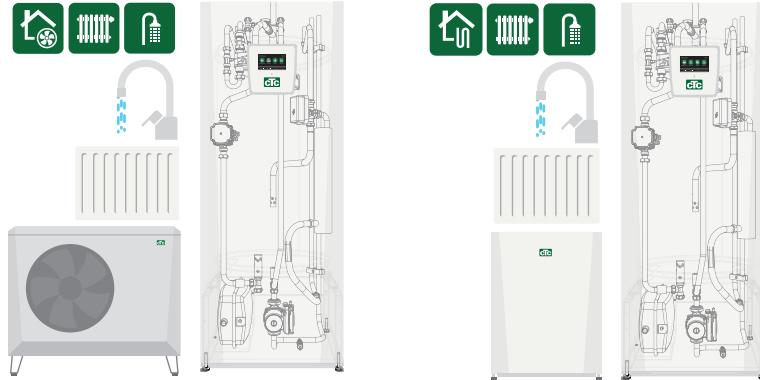
High version

*This overview is only intended as an aid to installation; all safety and installation instructions in the Installation and Maintenance Manual for the product must be followed.

Overview of basic electrical installation*

CTC EcoZenith i350

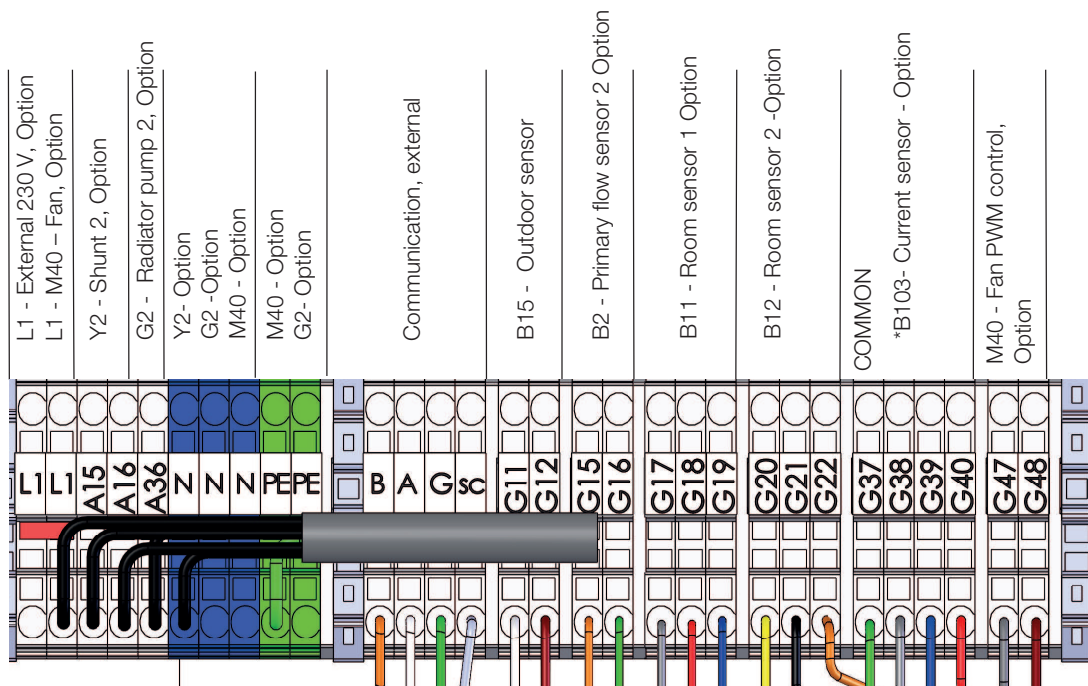
Indoor model with heat pump control



Feed cabling

The electrical connection must be preceded by an omnipolar switch and a residual current device in the central unit. The system must be designed so that all necessary rules and requirements are fulfilled (read the Installation and Maintenance Manual).

Terminal block X2



Terminal block X2

**B103 – current sensor not applicable to 1x230

*This overview is only intended as an aid to installation; all safety and installation instructions in the Installation and Maintenance Manual for the product must be followed.