

An eco-friendly
and secure
investment!



CTC VT

Volume tanks for enlarging heating systems.

Model: VT 50, VT 80, VT 100, VT 200C and VT 300C.



- Well insulated for minimal loss
- For all heating systems
- Available in five sizes
- Wall-mounted
- Floor standing – also for cooling

Find a CTC distributor in your country - www.ctc-heating.com



MADE IN SWEDEN

CTC VT 50 – 300C

CTC VT is a series of volume tanks specially designed to increase the volume of the heating system with heat pump operation.

Well-insulated for minimal loss

To minimise heat loss and to meet high European energy requirements, all models are well-insulated with efficient, eco-friendly foam insulation.

For all heating systems

CTC VT is a series of volume tanks specially designed and adapted for heat pump operation. They have been designed to be easily adapted to various types of heating

system. CTC VT can be used for volume increase, flow equalisation and reduction of any annoying noises in the heating system. The series includes VT 50, VT 80, VT 100, VT 200C and VT 300C.

Wall-mounted volume tanks

VT 50 and VT 100 is easily mounted on the wall with the accompanying wall bracket. They come with a bleeder and ball valve for the inlet.

Floor-standing volume tanks

CTC VT 200C and 300C are floor-standing volume tanks with four side connections and two connections for temperature sensors. They are condensate-insulated, which makes them suitable also for heating systems with cooling.

The CTC VT 80 is a compact floor-standing volume tank with four side connections and one temperature sensor connection.



CTC VT 50-100:

Wall-mounted volume tank with four side connections G 1 1/4".
Wall bracket, ball valve and bleeder are included in delivery.



CTC VT 80:

Floor-standing volume tank with four side connections R 3/4".



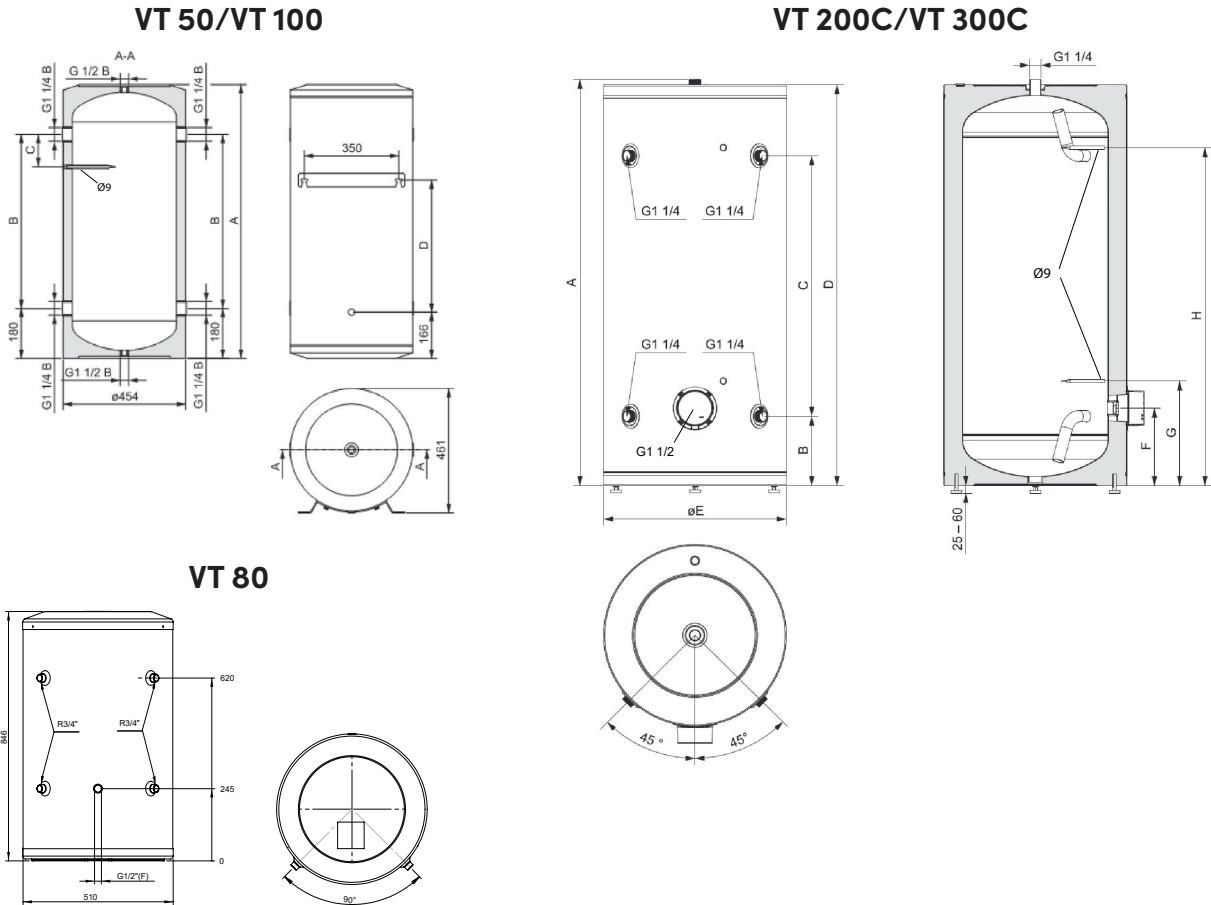
CTC VT 200C-300C:

Floor-standing volume tank with four connections G 1 1/4" also adapted for heating systems with cooling. There is also a connection intended for the connection of an immersion heater.



Dimensional drawing

	A	B	C	D	E	F	G	H
VT 50	560	200	-	200	-	-	-	-
VT 100	1005	645	125	495	-	-	-	-
VT 200C	1460	228	975	1444	570	258	358	388
VT 300C	1498	256	980	1478	670	286	386	1248



Technical data		VT 80	VT 50	VT 100	VT 200C	VT 300C
CTC no.		587190301	589610001	589611001	589612001	589613001
Weight (packaged)	kg	14 (15)	16.5 (18.5)	29 (31)	55 (67)	71 (84)
Dimensions (Ø x height)	mm	Ø510x845	Ø454x570	Ø454x1010	Ø570x1460	Ø670x1500
Connection, primary flow/return	mm	R 3/4"	DN32 (G1 1/4")	DN32 (G1 1/4")	DN32 (G1 1/4")	DN32 (G1 1/4")
Connection, venting/expansion	mm	DN15 (G 1/2")	DN15 (G 1/2")	DN15 (G 1/2")	DN32 (G1 1/4")	DN32 (G1 1/4")
Connection, draining	mm	-	DN15 (G 1/2")	DN15 (G 1/2")	-	-
Immersion tube, temperature sensor	mm	DN15 (G 1/2")	-	Ø9	Ø9	Ø9
Connection, immersion heater		-	-	-	DN40 (G1 1/2")	
Max. operating pressure	bar	3	10		6	
Water volume	litres	81	51	102	195	288
Standing loss (S) (EN12897)	W	42.4	46	67	71	89
Max. water temperature	°C	95	95		95	
Min. water temperature when cooling	°C	-	-		5	
Energy-efficiency class (A* to F)		B	C		C	

Energy labels and data sheets can be downloaded from www.ctc-heating.com/ecodesign.



info@ctc.se
+46 372 88 000
P.O Box 309 SE-341 26 Ljungby Sweden

