

An eco-friendly and  
secure investment!

**ctc**  
HEAT PUMPS

# CTC EcoVent i360F II

A stylish smart and economical concept for properties with  
exhaust air heating.



Find a CTC distributor in your country - [www.ctc-heating.com](http://www.ctc-heating.com)



MADE IN SWEDEN

# CTC EcoVent i360F together with CTC EcoAir gives you better heating economy with integrated exhaust air ventilation!

## Quiet and efficient

The CTC EcoVent i360F is an indoor module with heat pump control and integrated ventilation, which, when used in combination with an air-to-water heat pump, makes the system significantly more energy-efficient, smarter and quieter. With the compressor located outside the building, you get a considerably quieter indoor climate. Since we use outdoor air to heat both the building and DHW you achieve better heating economy. Smart, right?

## Energy in the air is free

For maximum energy savings, install the CTC EcoVent i360F with one of Sweden's best-selling air-to-water heat pumps: CTC EcoAir. With this combination, you save up to 30% more than you would with a traditional exhaust air heat pump.

## Energy-efficient solution for the perfect indoor climate

The CTC EcoVent i360F ventilates the property, produces heat and hot water, and ensures that you always have the perfect indoor climate. Ventilation air in all wet zones is extracted by means of the built-in fan, and produces a weak vacuum,

which helps to vent air in other rooms via the different wet zones in the building. The ventilation ducts are optimised to suit most ventilation connections when replacing an exhaust air pump.

## High volume of hot water

The most important function of the indoor module is to produce a lot of hot water as frugally and quickly as possible. You and your family will not be disappointed with CTC EcoVent i360F since it is equipped with the same ultra-efficient DHW heating as the CTC GSi ground source heat pump, and produces over 300 litres of hot water.

## User-friendly display

With the integrated touch screen, CTC EcoVent i360F has a user-friendly interface where you can easily access all functions and can both swipe and scroll, just like on your smartphone. In addition, you can easily mirror the display on your tablet, mobile, etc. The colour touch screen has clear symbols and the option to switch languages, making it easy to adjust the heating and hot water or to retrieve a wealth of operating data.

## EnergyFlex

The integrated automatic mixing valve is climate-controlled and takes into account both the indoor and outdoor temperatures. The product is able to control two individual heating circuits as standard. With accessories you can easily add solar heating, set up your water-jacketed stove or boiler so that they too can contribute heat, or connect a pool.

## Built-in internet connectivity

CTC EcoVent i360F has internet connectivity as standard, so you can easily control your heat pump remotely. To ensure compatibility with smart homes, the product is equipped for connection to Alexa, Google Home, etc. It is also SmartGrid-ready, which means it is equipped for the electricity grid of the future.

## Made in Sweden

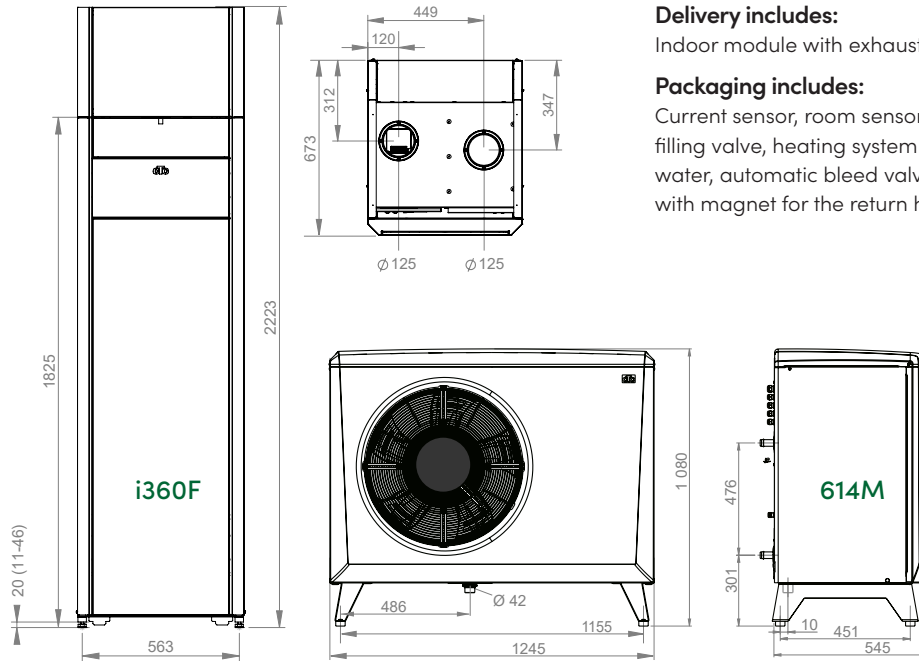
All CTC heat pumps and control units are designed, developed and manufactured in our factory in Ljungby. This gives us total control of all stages of the manufacturing process.



- Stylish design
- Smart touch display with user-friendly interface
- Economical: saves up to 30% more than a traditional exhaust air heat pump
- Optimal solution when replacing an exhaust air heat pump
- Produces over 300 litres of hot water
- Internet connection as standard



## Dimensions diagram



### Delivery includes:

Indoor module with exhaust air ventilation and manual.

### Packaging includes:

Current sensor, room sensor, outdoor sensor, pressure gauge, filling valve, heating system safety valve, 2.5 bar, dirt filter for cold water, automatic bleed valve, drainage valve 1/2", and ball filter with magnet for the return heating system.

Technical data 400V		CTC EcoVent		- with outdoor unit CTC EcoAir	
		i360F	406	614M	708M
CTC no.		59097001	585600001	588400001	590500001
Weight (packaged weight)	kg	174 (203)	145 (164)	174 (204)	164 (189)
Dimensions (depth x width x height)	mm	673 x 596 x 2223	545 x 1245 x 1080		510 x 1248 x 1068
Specified output max: W35 & A +12/+7/+2/-7/-15 (EN14511)	kW	-	7.24/6.22/4.69 /3.87/2.84	13.34 /10.79 /9.66 /8.69 /7.57	8.71 /6.96 /5.66 /5.51 /4.13
Input power max: W35 & A +12/+7/+2/-7/-15 (EN14511)	kW	-	1.33/1.30/1.28 /1.25/1.17	4.12 /3.70 /3.67 /3.94 /3.82	1.82 /1.72 /1.62 /1.75 /1.62
Sound power L <sub>WA</sub> W35/A7 (EN 12102)	dB(A)	-	56	51	46
Sound pressure L <sub>PA</sub> 5 m	dB(A)	-	37	32	27
Sound pressure L <sub>PA</sub> 10 m	dB(A)	-	31	26	21
Electrical Data, connection		400V 3N~ 50Hz			
Rated current	A	19.0	4.0	10.2	4.7
Ingress protection class (IP)		IP X1	IP X4		
Airflow: nominal/max	m <sup>3</sup> /h	-	- / 2500	2350 / 3129	2787 / 3041
Refrigerant quantity (R290, GWP 0.02)	kg	-	2.2 *	2.2 *	0.8 **
CO <sub>2</sub> - equivalent	tonnes	-	3.902	3.902	0.000016
Package efficiency class: W35/W55 <sup>1)</sup> (A+++ to G)		A+++ / A++	A++ / A+	A+++ / A+++	A+++ / A+++
Energy efficiency class: W35/W55 <sup>1)</sup> (A+++ to D)		-	A++ / A+	A+++ / A+++	A+++ / A+++
Output range immersion heater (min-max)	kW	0.5 - 11.9	-		
Max. immersion heater output at group fuse: 10/13/16/20/25 A		3.5/6.1/8.9/9.9/11.9	-		
Energy efficiency class DHW (A+ to F) / charge profile (EN16147) <sup>1)</sup>		A / XL	-		
DHW performance V <sup>40</sup> economy/normal/comfort (EN 16147)	litres	210 / 235 / 304	-		
<b>Ventilation</b>					
Specific energy consumption (SEC) cold/moderate/warm climate	kWh/m <sup>2</sup> /year	-54.4 / -27.4 / -11.9	<p>Schematic diagram – ventilation.</p>		
Specific energy consumption class (EU no. 1254/ Appendix II) <sup>1)</sup> (A* to G)		B			
Maximum flow	l/s (m <sup>3</sup> /h)	80 (288)			
Reference flow (SEK), (EU) no. 1254	l/s (m <sup>3</sup> /s)	56 (0.056)			
Sound power max. flow (L <sub>WA</sub> )	dB(A)	42			
Sound power reference flow (L <sub>WA</sub> )	dB(A)	35			
Filter class EN 779		G4			
Max/min building size at 0.35 l/s m <sup>2</sup>	m <sup>2</sup>	228/80			

<sup>1)</sup> Energy labels and data sheets can be downloaded from [www.ctc-heating.com/ECodesign](http://www.ctc-heating.com/ECodesign)

<sup>2)</sup> Sound data should be considered an indication only, as sound is affected both by power output and the surroundings.



info@ctc.se  
+46 372 88 000

P.O Box 309 SE-341 26 Ljungby Sweden



# Compatible heat pumps

– refer to individual product sheets for more detailed information.



# Smart accessories

– supplement and simplify.

CTC Charge Pump 25/6.0-130	Additional circulation pump/radiator pump	CTC no.: 588892301
CTC Expansion EnergyFlex II	External control of solar/pool/DHW circulation, etc.	589262301
CTC Diverting Valve, 3-way	For interconnections in the system, e.g. pool (22 mm connection)	583621401
CTC EcoVent 25	Exhaust air unit - Adapted for placement above the heat pump	589701001
CTC EcoComfort	A passive cooling unit that uses the borehole's cool temperature	585920001
CTC Housing cover high	480 mm. Hide pipe connections, etc. with a stylish housing cover	589442301
CTC Housing cover low	146 mm. Hide pipe connections, etc. with a stylish housing cover	589440301
CTC Housing cover medium	380 mm. Hide pipe connections, etc. with a stylish housing cover	589441301
CTC DHW button	Activates the extra hot water function, wire-bound	582515301
CTC SmartControl Gateway	Base unit able to control up to seven optional units	588300301
CTC SmartControl Repeater	Amplifies the signal between the base unit and the different accessories	588300302
CTC SmartControl Room/Humidity/CO <sub>2</sub> sensor	Wired sensor that can control ventilation on demand (Base unit required)	588300303
CTC SmartControl Room/Humidity sensor	Solar powered and wireless with rechargeable battery (Base unit required)	588305301
CTC SmartControl Room sensor	Solar powered and wireless with rechargeable battery (Base unit required)	588306301
CTC SmartControl Multi-button	Wireless 2 mode button (Base unit required)	588307301
CTC Solar Pump Station	Compact solar pump station for solar heating	587700001
CTC Start-kit EcoSol	Start kit for connecting CTC solar control with existing solar system	587458301
CTC Through-flow heater 11.9 kW	INCOLOY - for areas where there are problems with high chloride levels	589595302